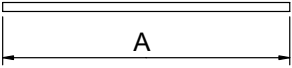
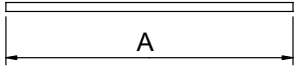
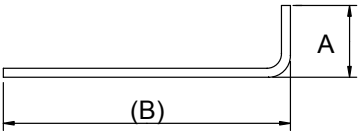
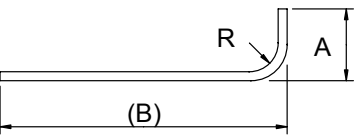
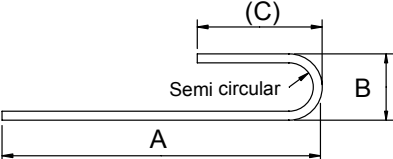
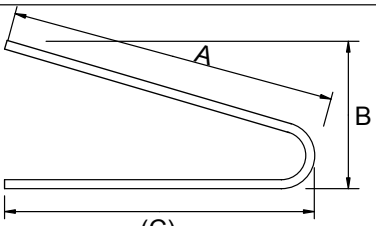
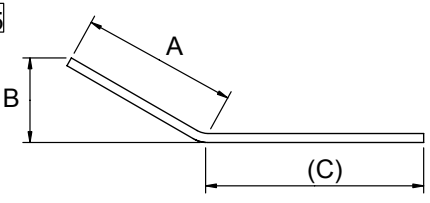
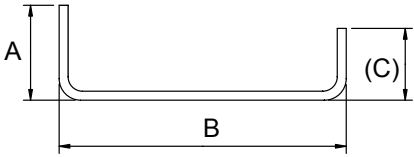
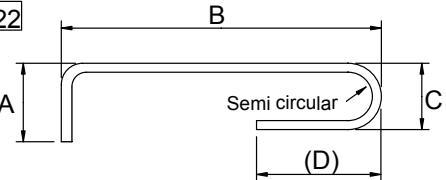
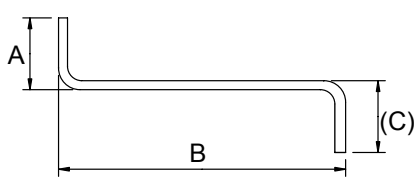
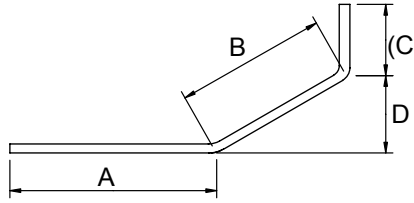
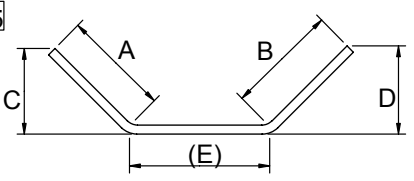
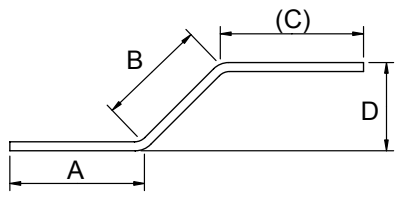
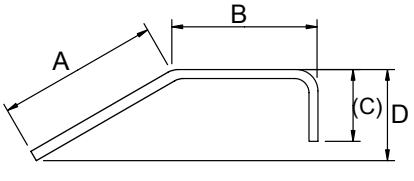
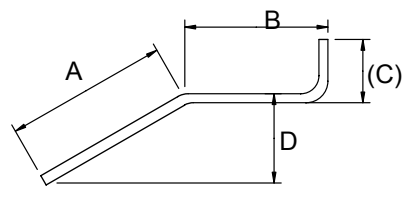
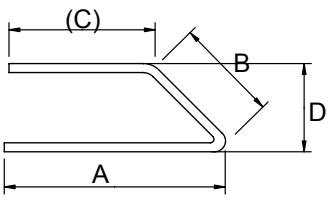
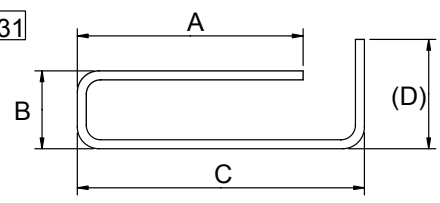
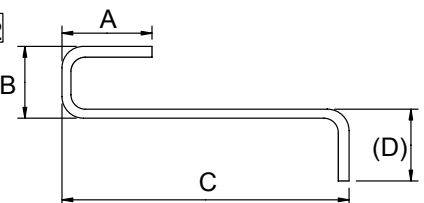
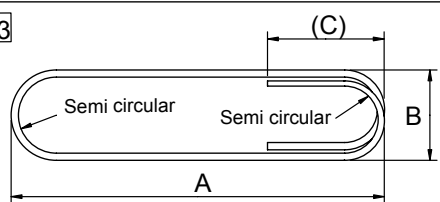
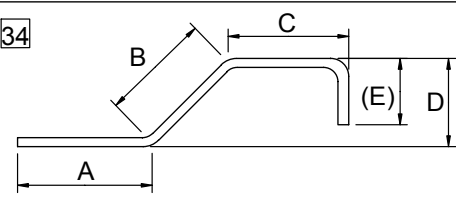
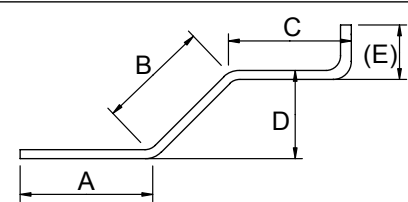
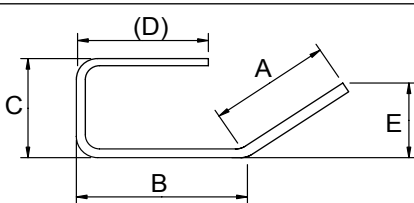
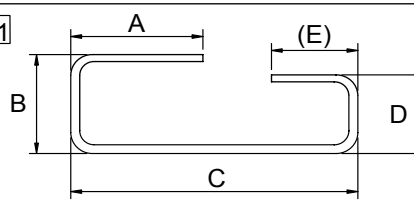
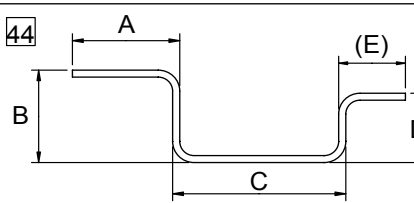
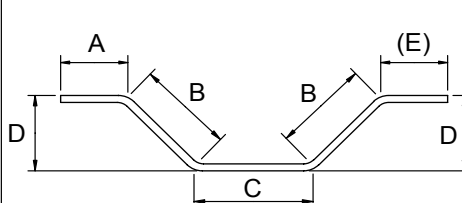
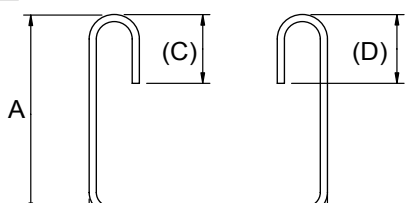
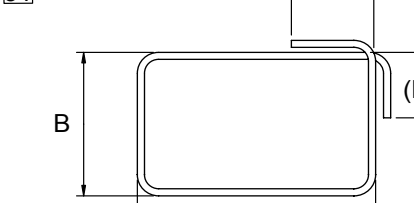
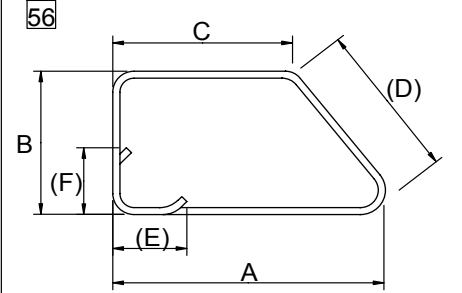
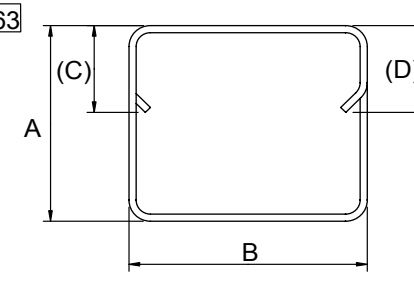
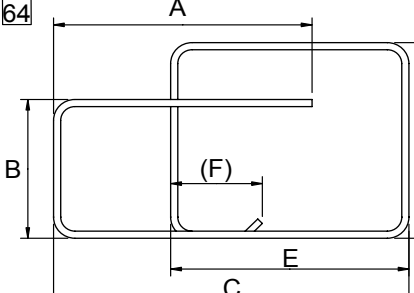
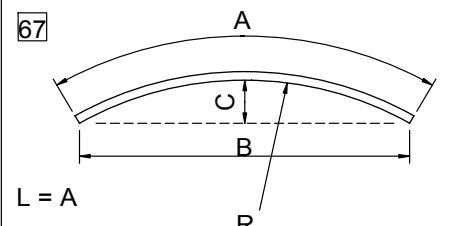
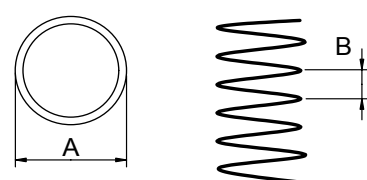
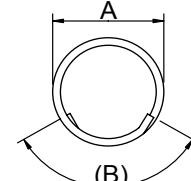
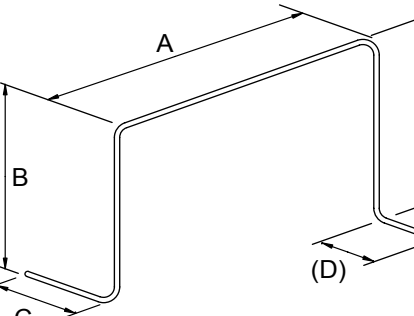


BS 8666:2005 Standard Shapes

Shape and total length of bar (L) measured along centre-line		
<p>00</p>  <p>$L = A$</p>	<p>01</p>  <p>$L = A$, stock lengths</p>	<p>11</p>  <p>$L = A + (B) - 0.5 r - d$</p>
<p>12</p>  <p>$L = A + (B) - 0.43 R - 1.2 d$</p>	<p>13</p>  <p>$L = A + 0.57 B + (C) - 1.6 d$</p>	<p>14</p>  <p>$L = A + (C) - 4 d$</p>
<p>15</p>  <p>$L = A + (C)$</p>	<p>21</p>  <p>$L = A + B + (C) - r - 2 d$</p>	<p>22</p>  <p>$L = A + B + C + (D) - 1.5 r - 3 d$</p>
<p>23</p>  <p>$L = A + B + (C) - r - 2 d$</p>	<p>24</p>  <p>$L = A + B + (C)$</p>	<p>25</p>  <p>$L = A + B + (E)$</p>
<p>26</p>  <p>$L = A + B + (C)$</p>	<p>27</p>  <p>$L = A + B + (C) - 0.5 r - d$</p>	<p>28</p>  <p>$L = A + B + (C) - 0.5 r - d$</p>
<p>29</p>  <p>$L = A + B + (C) - r - 2 d$</p>	<p>31</p>  <p>$L = A + B + C + (D) - 1.5 r - 3 d$</p>	<p>32</p>  <p>$L = A + B + C + (D) - 1.5 r - 3 d$</p>
<p>33</p>  <p>$L = 2 A + 1.7 B + 2 (C) - 4 d$</p>	<p>34</p>  <p>$L = A + B + C + (E) - 0.5 r - d$</p>	<p>35</p>  <p>$L = A + B + C + (E) - 0.5 r - d$</p>

BS 8666:2005 Standard Shapes

Shape and total length of bar (L) measured along centre-line		
<div style="border: 1px solid black; padding: 5px;"> <p>36</p>  <p>$L = A + B + C + (D) - r - 2d$</p> </div>	<div style="border: 1px solid black; padding: 5px;"> <p>41</p>  <p>$L = A + B + C + D + (E) - 2r - 4d$</p> </div>	<div style="border: 1px solid black; padding: 5px;"> <p>44</p>  <p>$L = A + B + C + D + (E) - 2r - 4d$</p> </div>
<div style="border: 1px solid black; padding: 5px;"> <p>46</p>  <p>$L = A + 2B + C + (E)$</p> </div>	<div style="border: 1px solid black; padding: 5px;"> <p>47</p>  <p>$L = 2A + B + \max(21d, 240)$ *see note</p> </div>	<div style="border: 1px solid black; padding: 5px;"> <p>51</p>  <p>$L = 2A + 2B + \max(16d, 160)$ *see note</p> </div>
<div style="border: 1px solid black; padding: 5px;"> <p>56</p>  <p>$L = A + B + C + (D) + 2(E) - 2.5r - 5d$</p> </div>	<div style="border: 1px solid black; padding: 5px;"> <p>63</p>  <p>$L = 2A + 3B + \max(14d, 150)$ *see note</p> </div>	<div style="border: 1px solid black; padding: 5px;"> <p>64</p>  <p>$L = A + B + C + 2D + E + (F) - 3r - 6d$</p> </div>
<div style="border: 1px solid black; padding: 5px;"> <p>67</p>  <p>$L = A$</p> </div>	<div style="border: 1px solid black; padding: 5px;"> <p>77</p>  <p>$C = \text{no. of turns}$</p> <p>$L = 3.14 (A - d) C$ where $B > A/5$ $L = \sqrt{\{(3.14 [A - d])^2 + B^2\}} C$</p> </div>	
<div style="border: 1px solid black; padding: 5px;"> <p>75</p>  <p>$L = 3.14 [A - d] + (B)$</p> </div>	<div style="border: 1px solid black; padding: 5px;"> <p>98</p>  <p>$L = A + 2B + C + (D) - 2r - 4d$</p> </div>	
<p>99</p> <p>All shapes where standard shapes cannot be used. No other shape code number, form of designation or abbreviation shall be used in scheduling. A dimensioned sketch shall be drawn over the dimension columns A to E. Every dimension shall be specified and the dimension that is to allow for permissible deviations shall be indicated in parenthesis, otherwise the fabricator is free to choose which dimension shall allow for the tolerance.</p>		<p>Notes The length equations for shape codes 47, 51 and 63 are for when dimensions C and D are to be minimised. '+ max(14 d, 150)' means add the greater value of either 14 d or 150mm.</p>