



## **TITAN** Recoverable Anchor Screws

Minimum 50 reuses guaranteed

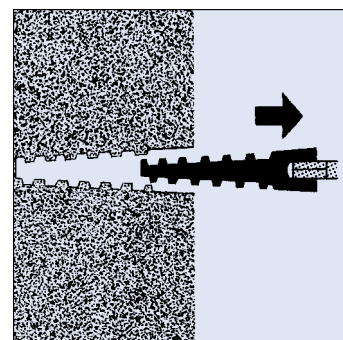
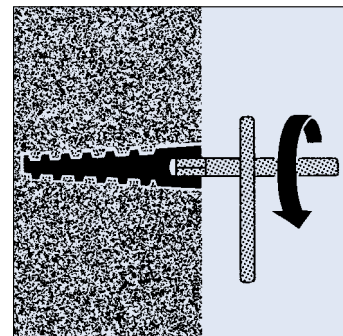
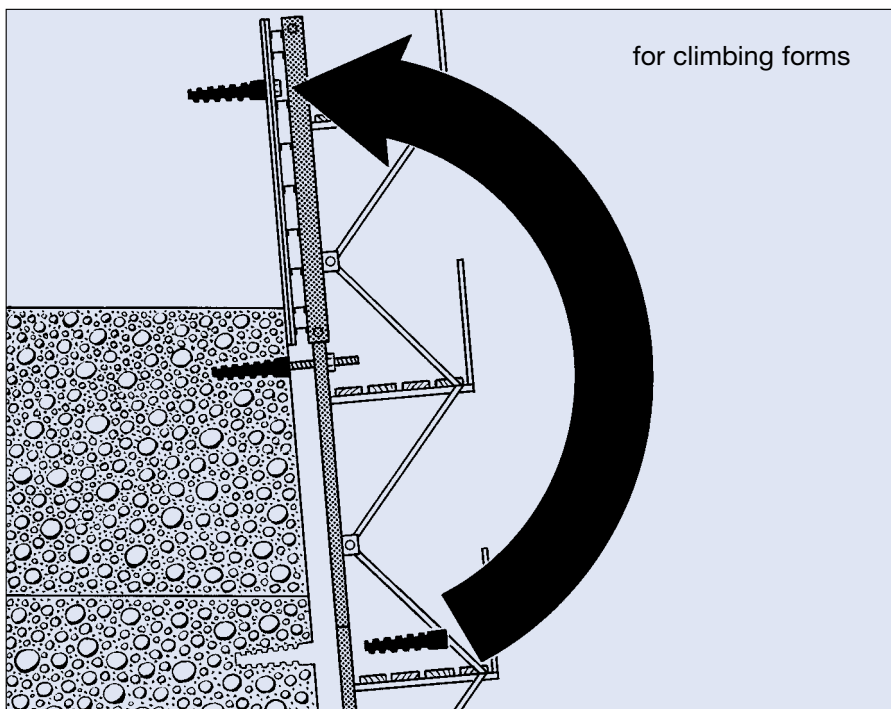
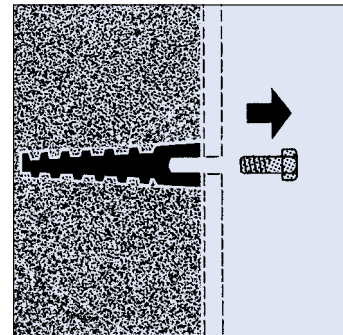
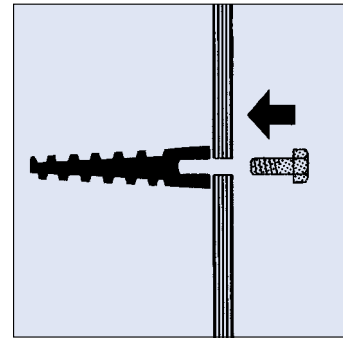
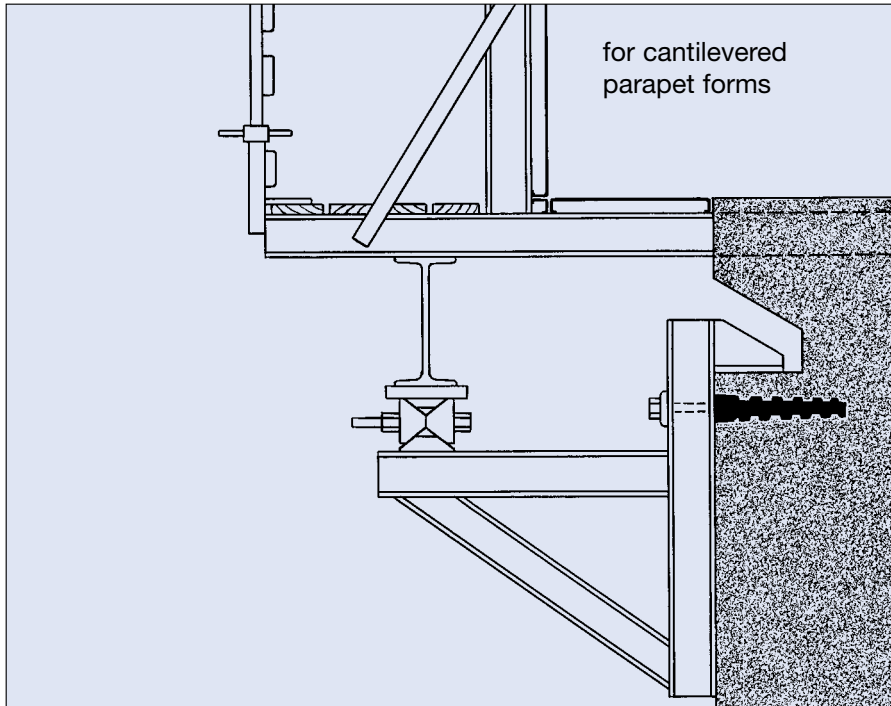
Advantages:

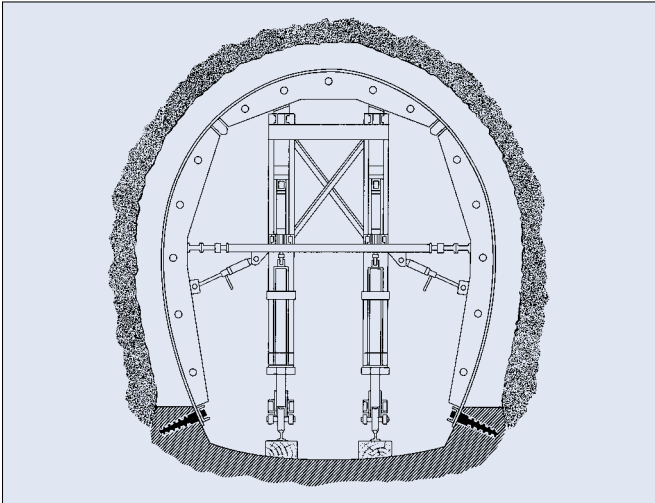
- no parts left in the concrete
- no rust stain spoiling the concrete
- pay off in just 5-7 uses



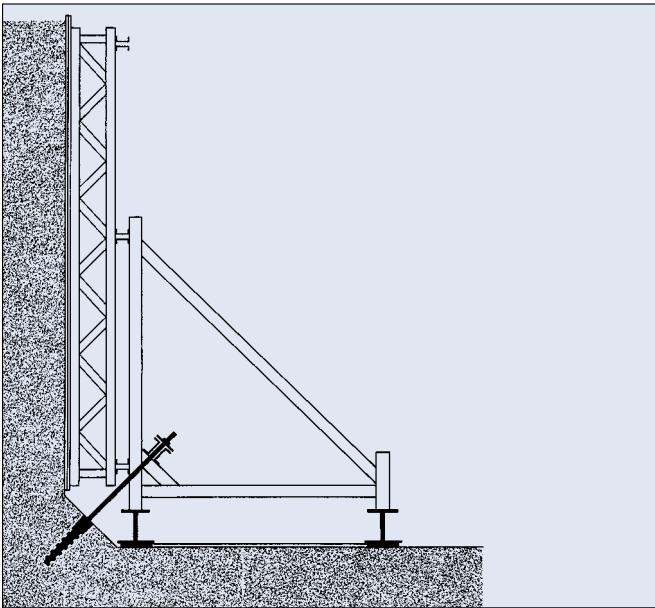
TITAN Recoverable Anchor Screws are a cost effective "temporary anchor" solution and negate the use of "lost" anchor items such as pigtail anchors, loop anchors, plate anchors etc.

### Applications

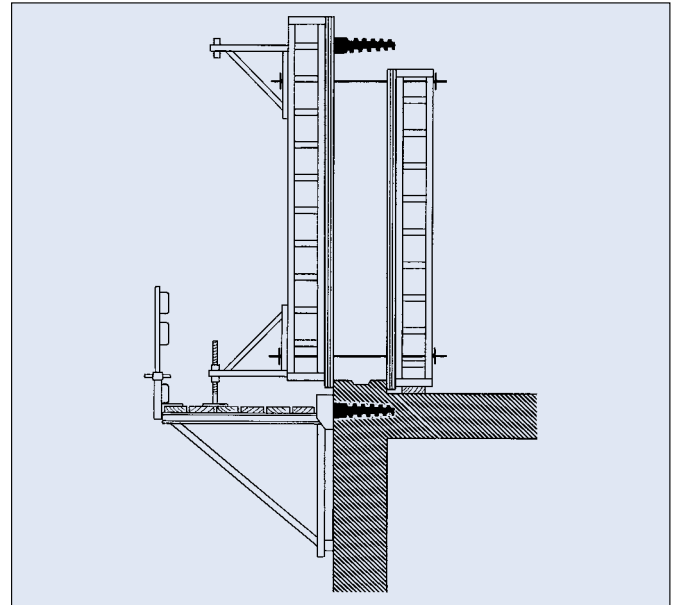




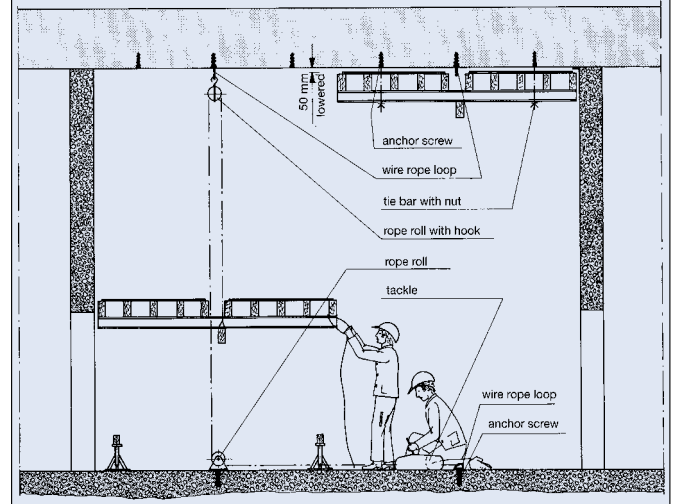
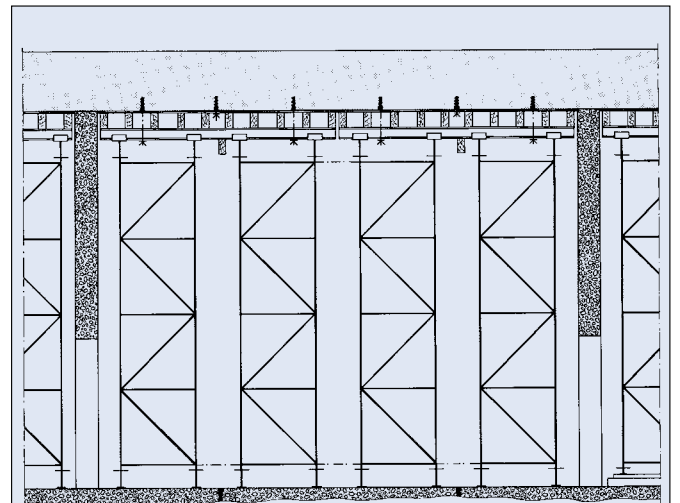
For anchoring to the wall and as security against uplift



For anchoring single-sided formwork



For climbing formwork



For lowering the high level soffit form safely

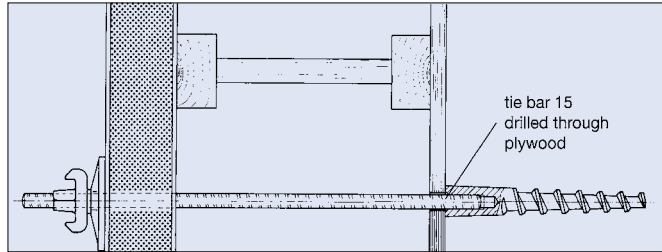
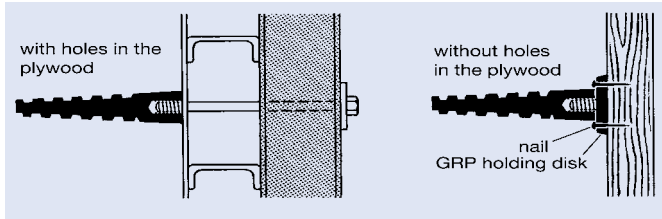
**TITAN Recoverble Anchor Screw**

By using the beam bracket the permissible loads of the RSK can be transferred, e.g. horizontal loads of max. 40 kN. The already existing holes in the ALU beam TITAN 225 are designed for the coupling set as well as for beam brackets.

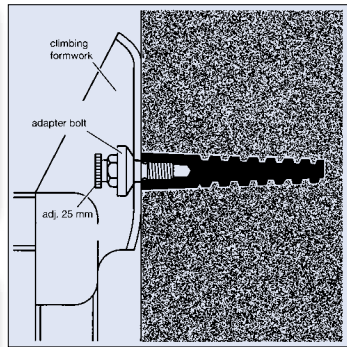
insert the beam bracket into ALU beam

For minimizing horizontal loads on table formwork

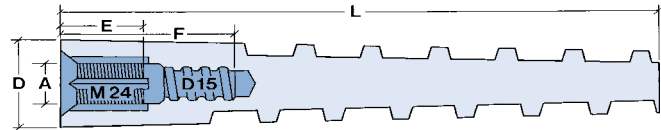
# TITAN Recoverable Anchor Screw



before concreting

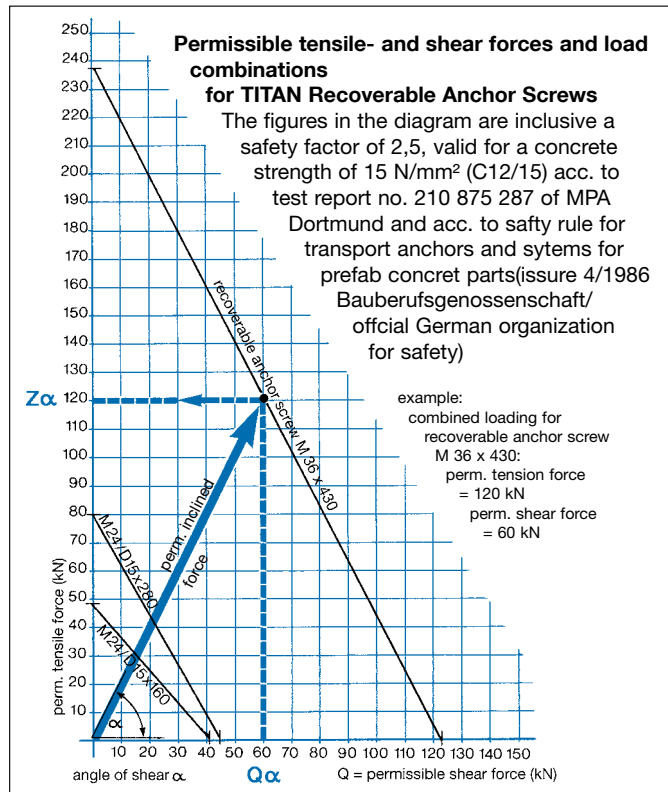


view after unscrewing



| A Description | M 24 / D 15<br>X 160 | M 24 / D 15<br>X 280 | M 36 / D 20<br>X 430 |
|---------------|----------------------|----------------------|----------------------|
| weight kg     | 0,7                  | 1,0                  | 4,3                  |
| L mm          | 160                  | 280                  | 430                  |
| D mm          | 39                   | 39                   | 58                   |
| E mm          | 30                   | 30                   | 65                   |
| F mm          | 80                   | 80                   | -                    |

M = Metric threaded      D = Dywidag thread



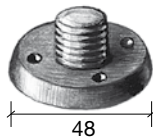
wire loop for M 24, SWL 35 kN



PVC Plug M 24, white, for sealing the anchor holes in the concrete after unscrewing the anchor screw M 24 / D 15



adapter bolt for recoverable anchor screw M 24 for climbing formwork



GRP holding disk M 24, can be nailed, unscrew by square (with extractor key M24), disk- Ø 48 mm



steel holding disk M 36, can be nailed, unscrew by square (with extractor key M 36), disk-Ø 74 mm



extractor key

screw M 36 x 90 8.8 DIN 933



adapter bolt for M 36 x 430

Certified Management-System to DIN EN ISO 9001 / 2008 ; Registry-No. DE-96-010



## FRIEDR. ISCHEBECK GMBH

Managing Directors: Dipl.-Wi.-Ing. Björn Ischebeck, Dr. jur. Lars Ischebeck  
Loher Str. 31-79 | 58256 Ennepetal | Germany | Phone +49 (2333) 8305-0 | Fax +49 (2333) 8305-55  
E-mail: export@ischebeck.com | www.ischebeck.com