



TITAN SF 60/86 Column Clamp System

The complete column form made of formwork beams

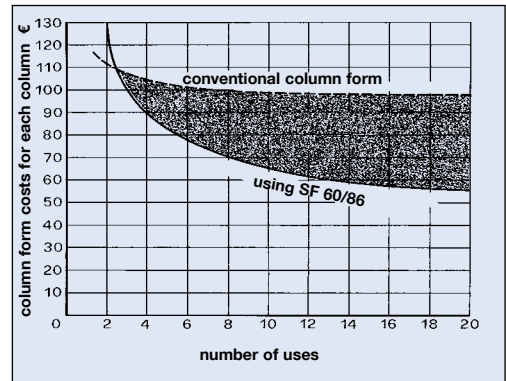
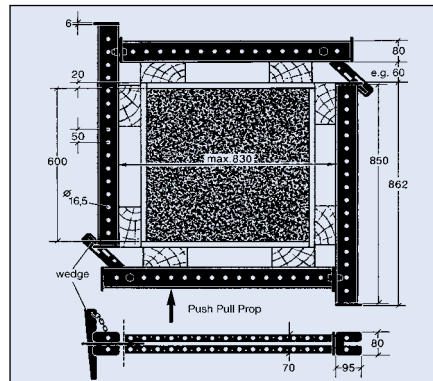
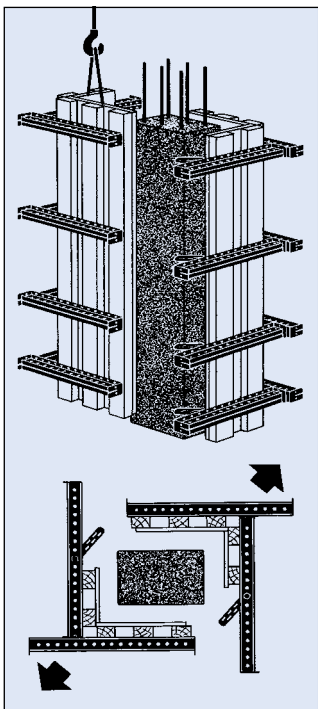
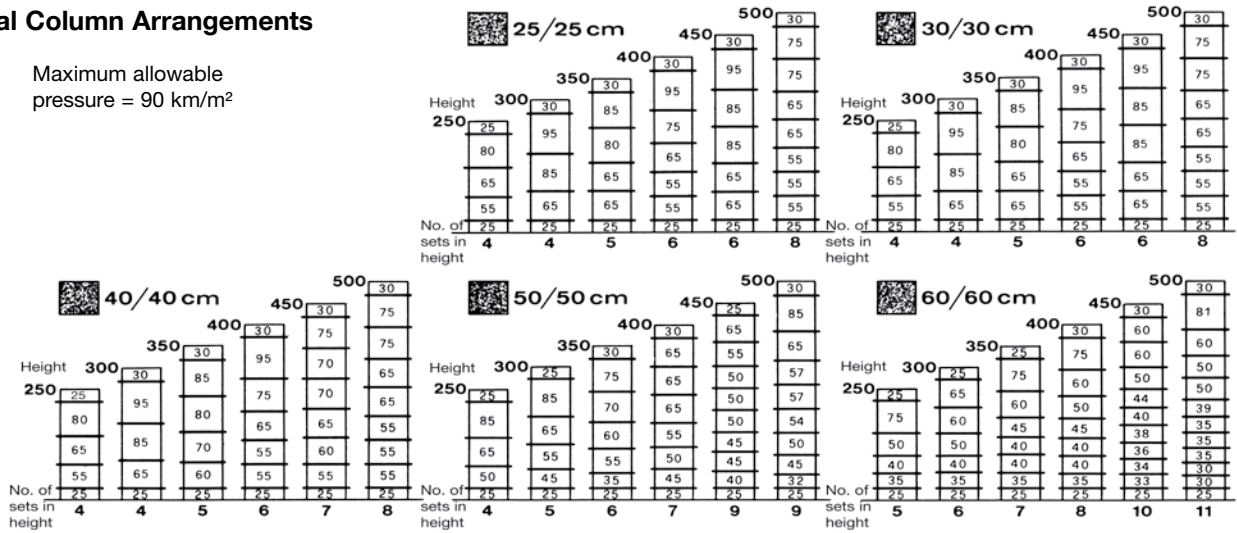
Advantages:

- A lightweight column formwork system to be used with timber
- Substantially reduces labour costs
- To be used on columns up to a maximum of 600 mm x 600 mm



Typical Column Arrangements

Maximum allowable pressure = 90 km/m²



Each set consists of

- 4 No. channels 860 mm long
- 2 wedge plates with wedge and chain
- 6 No. M 16 x 35 bolts & nuts.

Weight per set = 24.5 kg hot dip galvanised.

For larger column forms we would propose using our SF 100/137 column clamp system along with our TITAN 160 aluminium beams.

Certified Management-System to DIN EN ISO 9001 / 2008 ; Registry-No. DE-96-010 **DVS** ZERT



FRIEDR. ISCHEBECK GMBH

Managing Directors: Dipl.-Wi.-Ing. Björn Ischebeck, Dr. jur. Lars Ischebeck
 Loher Str. 31-79 | 58256 Ennepetal | Germany | Phone +49 (2333) 8305-0 | Fax +49 (2333) 8305-55
 E-mail: export@ischebeck.com | www.ischebeck.com